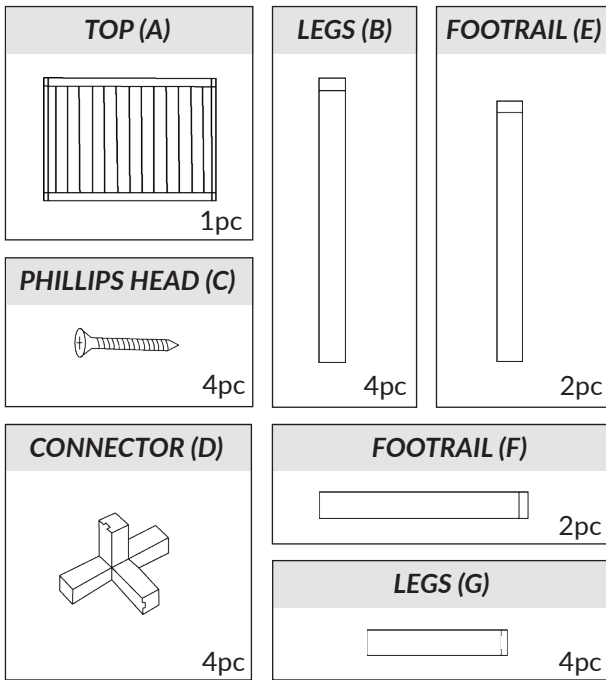


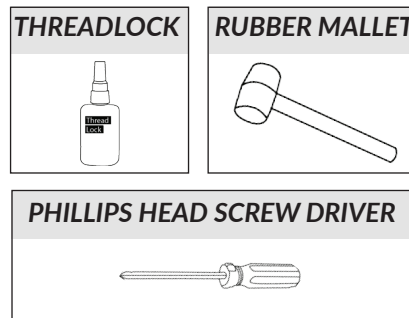
CUBE 1400x800

Drybars

PARTS:



NOTES:

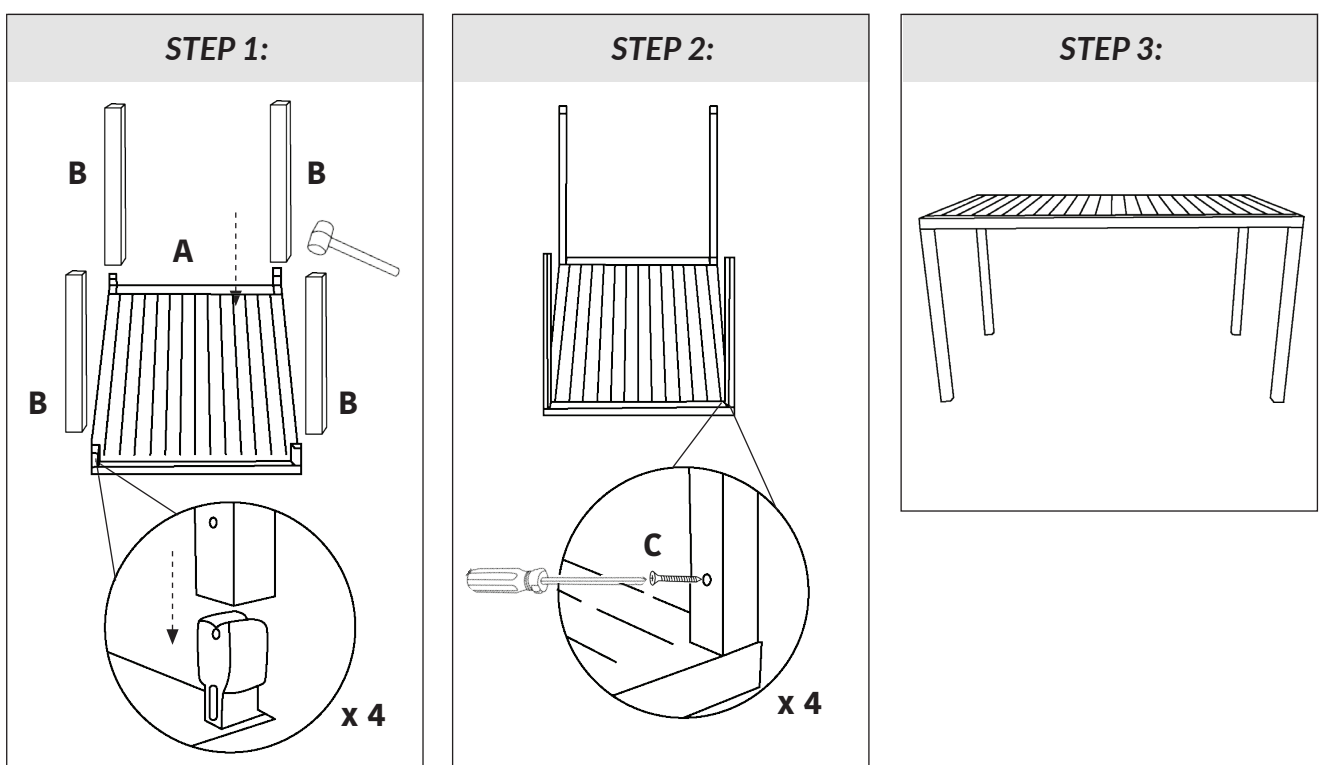


We strongly recommend assembling on a flat surface, applying thread lock to the full length of all screws and using a screwdriver.

WARNING:

Take care at all times as there is a risk of being pinched during the connection process.

INSTRUCTIONS:



CUBE 1400x800

Drybars

